



Azure NX 266-1000

Next Generation High-Power CW Deep UV Laser

The Azure NX 266-1000 is the first high-power CW deep UV laser for use in demanding 24/7 commercial applications. Azure NX quadruples the UV power of its predecessor.

Based on a high-power Optically Pumped Semiconductor (OPS) green laser and using patented technology for single frequency operation and absolute wavelength control, the Azure NX laser utilizes the PermAlign™ mounting technique to ensure continuous reliable performance.

The system also features hands-free operation via LAN or WEB GUI. This high-power laser is ideal for applications such as semiconductor inspection allowing for detection of smaller defects in shorter times.

FEATURES & BENEFITS

- Designed for 24/7 operation in commercial applications
- 1 W of ultra low noise CW 266 nm
- Complete hands-free operation
- Compact PermAlign design and hermetically sealed
- Patented single and absolute frequency stabilization

APPLICATIONS

- Semiconductor Inspection
- Raman Spectroscopy
- Fiber Bragg Grating
- Lithography



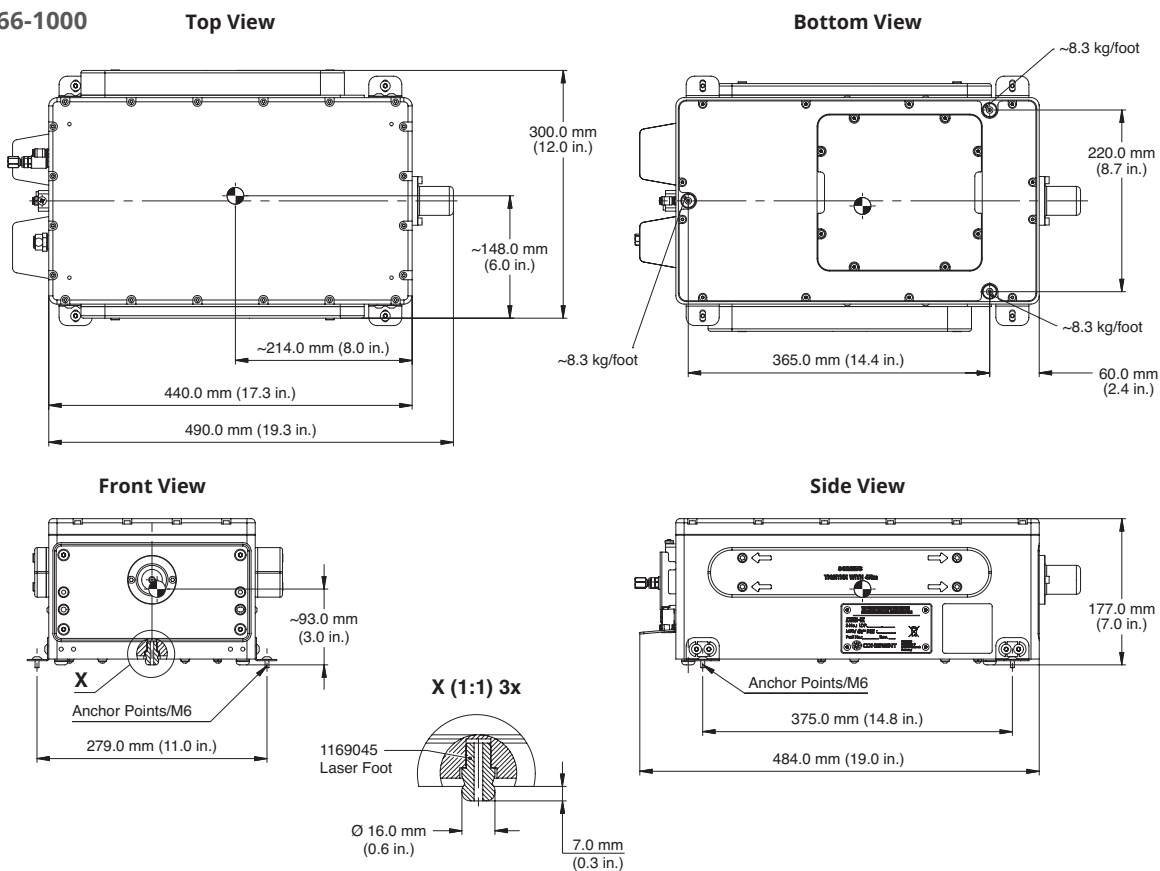
| SPECIFICATIONS | Azure NX 266-1000 |
|---|--|
| Power (W) | 1 |
| Wavelength (nm) | 266 |
| Linewidth (kHz) | <500 |
| Beam Waist Diameter (mm) | 2 ±0.3 |
| Beam Waist Location Relative to Beam Exit (m) | Front bezel ±25% of Rayleigh Range |
| Beam Divergence (mrad) (full angle) | <0.3 |
| Beam Ellipticity | 0.9 to 1.1 |
| Astigmatism | ±25% of Rayleigh Range |
| Pointing Stability (μrad/°C) | <±5 |
| Pointing (μrad) (actively stabilized) | <20 |
| Transverse Mode | TEM ₀₀ |
| M ² | <1.3 |
| Polarization | Linear, Vertical ±3°, 200:1 |
| Output Power Stability over 8 hours (%) | <1 |
| RMS Noise (%) (10 Hz to 500 MHz) | <0.5 |
| PTP Noise (%) (100 s, 1 MHz to 100 MHz) | <3 |
| WARM-UP TIME ¹ | |
| Cold Start (hours) | <2 |
| From Standby (minutes) | <30 |
| From Crystal Shift (minutes) | <2 |
| LIFE TIME | |
| FHG Crystal Spot Life Time (hours) | 250 |
| Number of FHG Crystal Spots | >30 |
| DIMENSIONS & WEIGHTS | |
| Dimensions (L x W x H) | |
| Laser Head | 225 x 177 x 483 mm ³ (8.86 x 6.97 x 19.02 in. ³) |
| Power Supply | 452 x 88 x 420 mm ³ (17.95 x 3.46 x 16.54 in. ³) |
| Chiller | 482 x 134 x 570 mm ³ (18.98 x 5.28 x 22.44 in. ³) |
| Recirculator Unit | 229 x 223 x 276 mm ³ (9.02 x 8.78 x 10.87 in. ³) |
| Weight (kg) | |
| Laser Head | 25 |
| Power Supply | 10 |
| Chiller | 20 |
| Recirculator Unit | 10 |
| Laser Head Cable Length (m) | 5 |
| Operating Thermal Requirements | 20 to 33°C |
| COOLING REQUIREMENTS | |
| Laser Head | Water-cooled, closed loop chiller for laser head |
| Power Supply | Air-cooled |
| Recirculator Unit | Water-cooled |
| Shipping Requirements | 0 to 55°C in non-condensing environment |
| Orientation | Horizontal ±2° |

¹ Defined as time to meet all specifications.

| POWER CONSUMPTION | | Azure NX 266-1000 |
|------------------------|--|-------------------|
| Power Supply (kW) | | 0.6 |
| Power Consumption (kW) | | |
| Laser Head | | 1 |
| Chiller | | 1 |
| COMMUNICATION | | |
| Interface/Protocol | | Ethernet |

MECHANICAL SPECIFICATIONS

Azure NX 266-1000



Coherent, Inc.,
 5100 Patrick Henry Drive Santa Clara, CA 95054
 p. (800) 527-3786 | (408) 764-4983
 f. (408) 764-4646

tech.sales@coherent.com www.coherent.com



Coherent follows a policy of continuous product improvement. Specifications are subject to change without notice. Coherent's scientific and industrial lasers are certified to comply with the Federal Regulations (21 CFR Subchapter J) as administered by the Center for Devices and Radiological Health on all systems ordered for shipment after August 2, 1976.

Coherent offers a limited warranty for all Azure Lasers. For full details of this warranty coverage, please refer to the Service section at www.Coherent.com or contact your local Sales or Service Representative. MC-XXX-18-0M0618 Copyright ©2018 Coherent, Inc.

