



Genesis MX 607/639 MTM

High-Power Optically Pumped Semiconductor Lasers (OPSL)

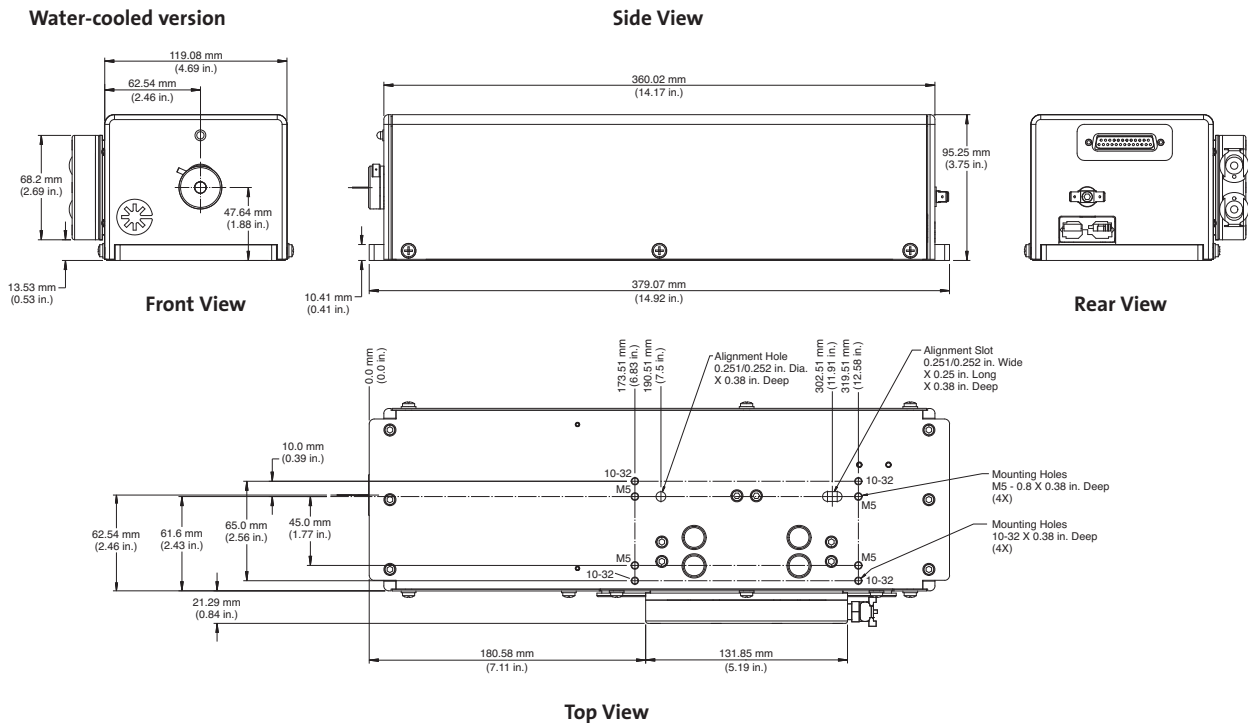


Features

- End user, turn key solution
- OPSL reliability
- Compact, efficient design
- Optimum wavelengths and power for superior results
 - 1250 mW at 607 nm
 - 1W and 2W at 639 nm
- Choice of air or water-cooled solutions

Mechanical Specifications

MX-Series MTM
Water-cooled version



Superior Reliability & Performance

Genesis™ MX 607/639 MTM

High-Power Optically Pumped Semiconductor Lasers (OPSL)

Optical Specifications ¹	Genesis	PRELIMINARY MX 607-1250	PRELIMINARY MX 639-1000/2000
	Wavelength (nm)		607 ±3
Bandwidth (nm)			<0.5
Output Power (mW)		1250	1000, 2000
Spatial Mode			Multimode
Beam Quality (M ²)			<1.5
Beam Waist Diameter ² (mm)(FW, 1/e ²)			0.8
Beam Divergence ² (mrad)(FW, 1/e ²)			1.4
Beam Waist Location ^{2,4} (m)			±0.25
Beam Pointing Stability ³ (μrad/°C)			<10
Horizontal Beam Position Tolerance ⁵ (mm)			±1
Vertical Beam Position Tolerance ⁵ (mm)			±1
Beam Pointing Tolerance ⁵ (mrad)			<10
Polarization Ratio			Linear, >100:1
Polarization Direction			Horizontal, ±5°
Noise			
RMS (%) (10 Hz to 10 MHz) ⁸			<5
RMS (%) (10 Hz to 100 kHz) ⁸			<1
Warm-Up Time (minutes)			<10
CDRH Compliant			Yes
Electrical Specifications	Operating Voltage (VAC)		100 to 240
	Frequency (Hz)		50 to 60
	Power Consumption (W)		500
Environmental Conditions	Ambient Temperature (°C)		
	Operating		10 to 40
	Non-Operating		-10 to 60
	Relative Humidity ⁶ (%)		5 to 95
	CE Marking		IEC 61010-1/EN 61010-1
	Dimensions (L x W x H)		
Laser Head ⁷		296 x 49 x 71 mm (11.64 x 1.91 x 2.76 in.)	
Cables (laser head to controller)		2m (6.5 ft.)	

¹ Optical parameters measured at the output plane of the laser head. Unless noted all parameters valid for the lifetime of the unit.

² Typical value.

³ Measured at the output window: tolerance relative to the nominal center of the output window and perpendicular to the mounting plane.

⁴ Negative value corresponds to a location inside head.

⁵ Measured at the output window.

⁶ Non-condensing.

⁷ Back connector not included in laser head length dimension.

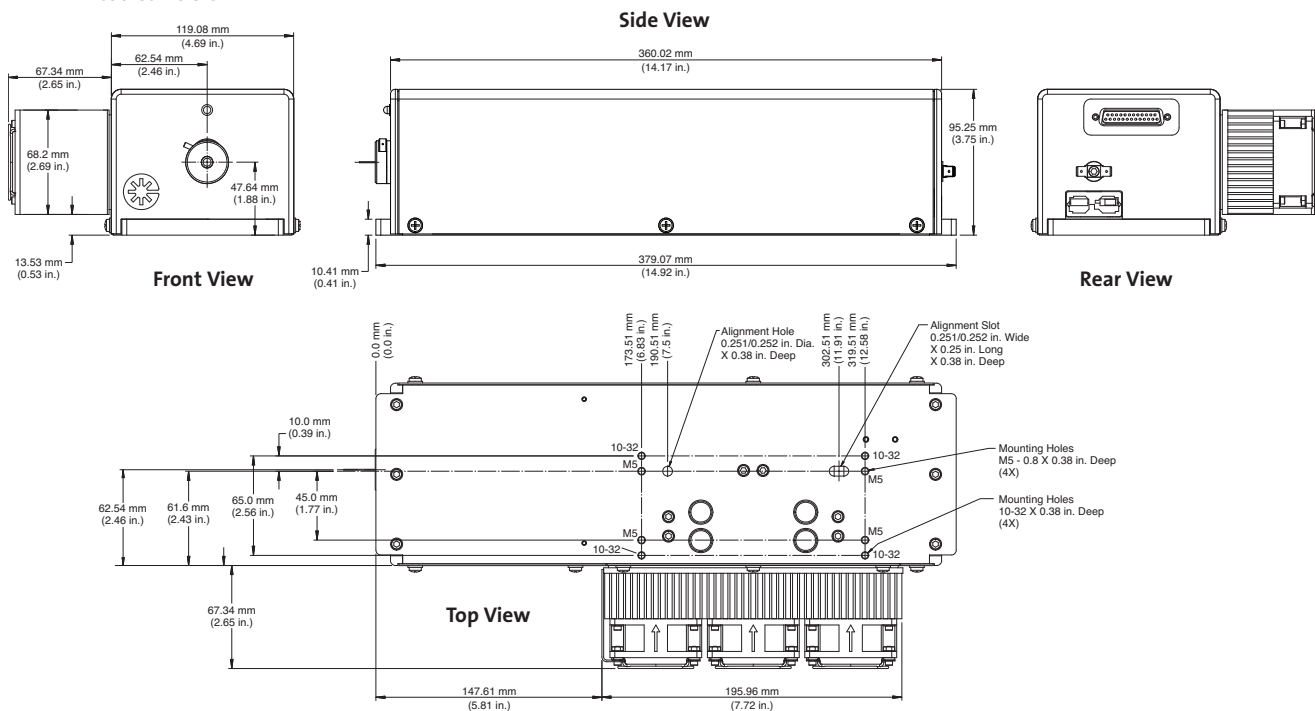
⁸ At operating power.

Genesis™ MX 607/639 MTM

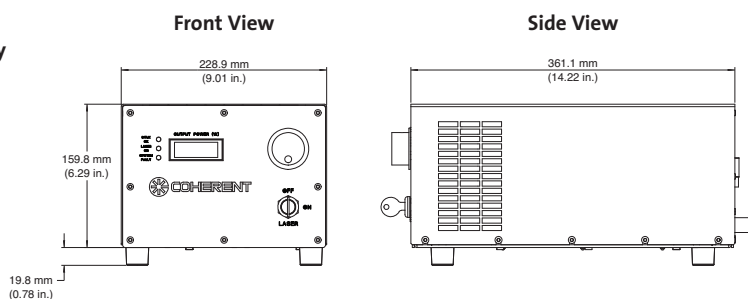
High-Power Optically Pumped Semiconductor Lasers (OPSL)

Mechanical Specifications

MX-Series MTM Air-cooled version



Genesis MX-Series Benchtop Power Supply



Coherent follows a policy of continuous product improvement. Specifications are subject to change without notice.

Coherent's scientific and industrial lasers are certified to comply with the Federal Regulations (21 CFR Subchapter J) as administered by the Center for Devices and Radiological Health on all systems ordered for shipment after August 2, 1976.

Coherent offers a limited warranty for all Genesis MX-Series lasers. For full details of this warranty coverage, please refer to the Service section at www.Coherent.com or contact your local Sales or Service Representative.



www.Coherent.com

Coherent, Inc.
 5100 Patrick Henry Drive
 Santa Clara, CA 95054
 phone (800) 527-3786
 (408) 764-4983
 fax (408) 764-4646
 e-mail tech.sales@Coherent.com

Benelux +31 (30) 280 6060
 China +86 (10) 8215 3600
 France +33 (0)1 8038 1000
 Germany +49 (6071) 968 333
 Italy +39 (02) 31 03 951
 Japan +81 (3) 5635 8700
 Korea +82 (2) 460 7900
 UK +44 (1353) 658 833

